

Platen Cover Type 3800C  
(G329)

## Platen Cover Type 3800C (G329)

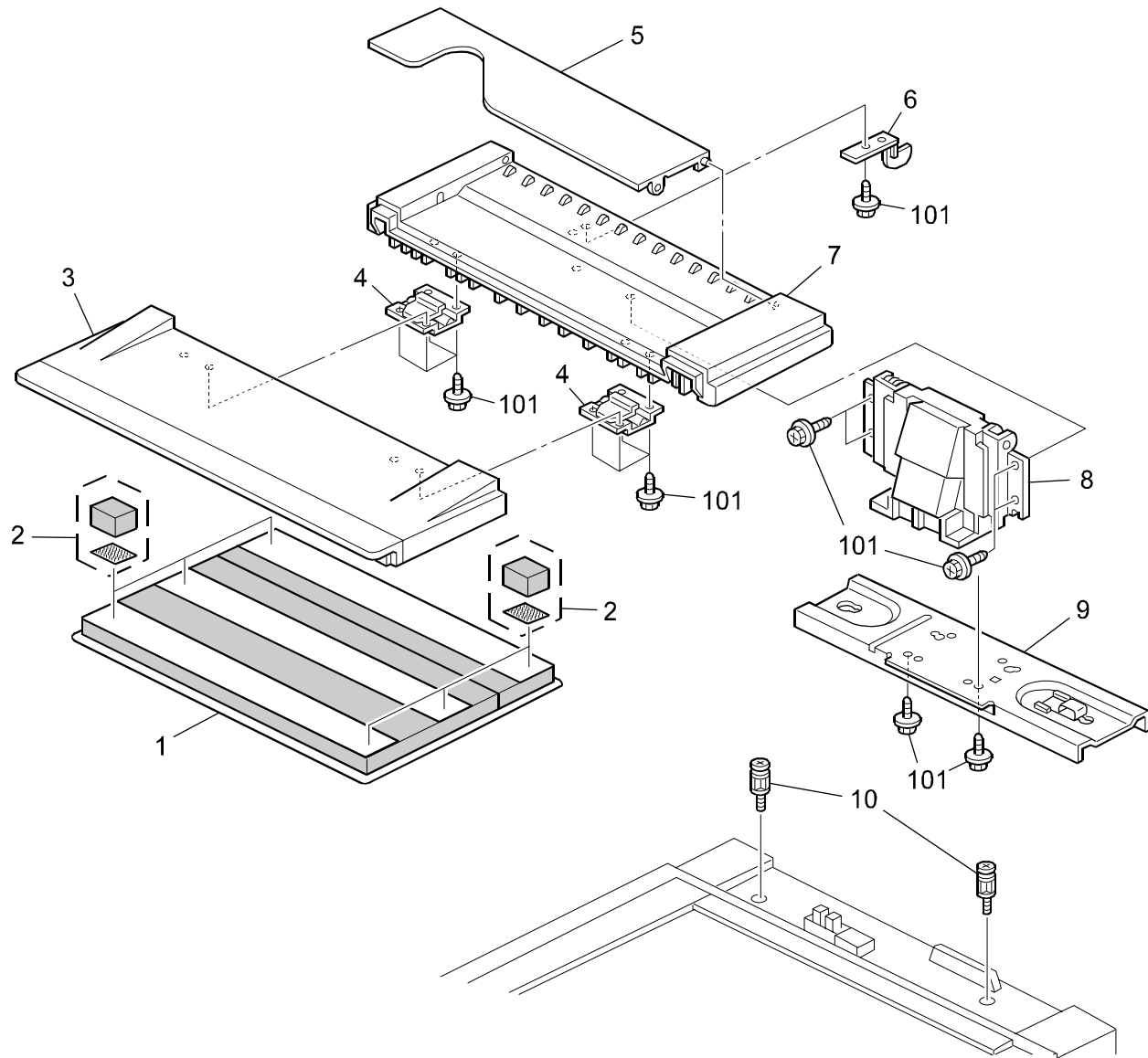
### PARTS CATALOG

This catalog gives the numbers and names of parts on this machine.

1.Platen Cover (G329) .....	2
<b>PARTS INDEX.....</b>	<b>5</b>

January ,15 ' 2002

# 1. Platen Cover (G329)



### 1.Platen Cover (G329)

Index No.	Part No.	Description	Q'ty Per Assembly
1	G329 1320	Platen Cover Sheet	1
2	G329 1330	Cushion - Platen Cover	6
3	B406 1387	Front Platen Cover	1
4	A053 1957	Flex Hinge - Platen Cover	2
5	B406 1397	Original Holder	1
6	G329 1383	Feeler - Platen Cover Sensor	1
7	B406 1392	Rear Platen Cover	1
8	A193 1248	Platen Cover Hinge Assembly	1
9	G329 1384	Bracket - Platen Cover	1
10	5215 1667	Platen Cover Stud	2

Index No.	Part No.	Description	Q'ty Per Assembly
101	0450 4012B	Tapping Screw - M4x12	

# Parts Index

## Parts Index

Part No.	Description	Page and Index No.
G329 1320	Platen Cover Sheet	3- 1
G329 1330	Cushion - Platen Cover	3- 2
G329 1383	Feeler - Platen Cover Sensor	3- 6
G329 1384	Bracket - Platen Cover	3- 9

Part No.	Description	Page and Index No.
A053 1957	Flex Hinge - Platen Cover	3- 4
A193 1248	Platen Cover Hinge Assembly	3- 8
B406 1387	Front Platen Cover	3- 3
B406 1392	Rear Platen Cover	3- 7
B406 1397	Original Holder	3- 5
0450 4012B	Tapping Screw - M4x12	3-
1015215 1667	Platen Cover Stud	3- 10